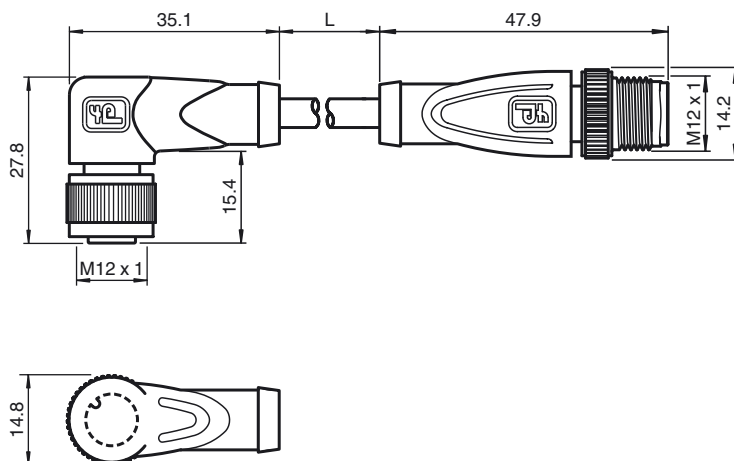




**Dimensions**



**Model Number**

**V1-W-20M-PVC-V1-G**  
 Connecting cable, M12 to M12, PVC cable 4-pin

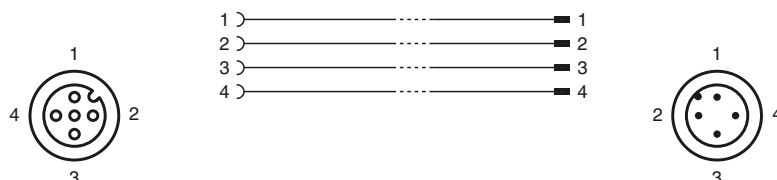
**Features**

- Knurled nut suitable for tool assembly
- Immunity to vibration, with mechanical latching
- Gold plated contacts
- Degree of protection IP67 / IP68 / IP69K

**Technical data**

<b>General specifications</b>		
Number of pins		4
<b>Electrical specifications</b>		
Operating voltage	$U_B$	max. 250 V AC/DC
Operating current	$I_B$	max. 4 A
Contact resistance		< 10 mΩ
<b>Ambient conditions</b>		
Ambient temperature		cable, fixed: -25 ... 70 °C (-13 ... 158 °F) cable, flexing: -5 ... -70 °C (23 ... -94 °F)
Pollution degree		3
<b>Mechanical specifications</b>		
Contact elements		spring-loaded contact socket
Pin diameter		1 mm
Degree of protection		IP67 / IP68 / IP69K
<b>Material</b>		
Contacts		CuSn / Au
Contact surface		Au
Body		TPU, black
Cable		PVC
Slotted nut		Diecast zinc
Sleeve connector		Diecast zinc
Core insulation		PVC
Cable		fine-strand, flexible
Sheath diameter		Ø 4.8 mm
Bending radius		> 10 x cable diameter, moving
Color		grey
Number of cores		4
Core cross-section		0.34 mm <sup>2</sup>
Conductor construction		19 x 0.15 mm Ø
Length	L	20 m
<b>Flammability</b>		
Contact carrier		94 HB
Housing		94 V-2
<b>Compliance with standards and directives</b>		
Standard conformity		
Degree of protection		EN 60529:2000
Standards		IEC 61076-2-101:2008

**Electrical connection**



Release date: 2017-05-31 08:27 Date of issue: 2017-05-31 114710\_eng.xml